

SR-75

BLUE TECH 



soilmec 
Drilling and Foundation Equipment

Blue Tech Line dressed to impress.

Multifunctionality & Efficiency

Easy to be converted in different technologies,
highest efficiencies and environmental friendly,
simplified circuits & controls for an improved reliability.

Designed for all foundation techniques

- easier to use through “plug & play” connections,
- increased efficiency,
- more power direct on the tool.

We have done it, tested and made it unique.





0.989321 UVT

V. 0.065388702



TECH E R M



0.325699

0.989321 UVT

SR-75 Blue Tech. A new step into the Future.

SR-75 blending together cutting edge technology, design and comfort to ensure top performance.

Improved response and better calibrated control of hydraulics for smoother and increased operations performance.

SR-75 does more than set a standard.
Once again, it sets a future trend.





As usual we combine performance with comfort and design.



PERFORMANCE

Engine. Volvo D13 with 345 kW (462 hp), turbocharged and air cooled

Extreme efficiency for a more real power at each function

Torque. Increased by 13%. Innovative design to reach 281 kNm (207255 lb*ft) of rated value. Unique in its class.

Saving. The new set-up saves fuel and time during the work cycle - up to 50% on the winch cycle and approx. 10,4 litres (2.75 gal) of fuel saved per hour.

Main winch. 270 kN line pull for an improved production.



DESIGN

Operator cabin. Conceptually designed and developed to provide maximum comfort, visibility and accessibility.

Maintenance. A new hydraulic skid for an easy and safe access to servicing.

Self-mounting counterweight.

3m mast extension adapted for any drilling condition, from Kelly to CFA / DP / TJ.

Variable drilling axis for increased pile diameter in front of the mast



SAFETY

Increased visibility. Improved direct visibility on right-side through new compact hydraulic compartment, full view on the top roof without the protection grid thanks to a resistant special polycarbonate material used.

Camera systems for a greater visibility, giving a clear surround view of the rig.

Powerful led lights with antiglare technology.

Integrated led ambient lights to give best visibility inside the cabin.



CONNECTIVITY

DMS ON BOARD, a high-tech instrumentation to increase piling efficiency through improved operations control and automated drilling functions.

Remote service assistance. USB port and phone wireless charger support.

Radio player.

DMS MANAGER cloud-running application.

DMS PC. Licensed software to show, analyse and elaborate production data.



TECHNOLOGY

Plug and play design approach gives you the versatility to use a wide range of Soilmec attachments.

Two types of crowd system.

Six different packages for CFA technology.

Two VDW kit for cased secant piles.

Displacement Piles set-up with TCT and TurboJet® technology.

Several optional to increase the performance and productivity.

New direct pull system for a faster conversion from Kelly to CFA / DP / TJ.



SR-75, A NEW BENCHMARK

Like never before, all over again.

A high power VOLVO Diesel engine, with low consumption and noise.

Electrical system with technology 2.0 and proportional controls.

Downtime reduction thanks to real-time rig monitoring.

SR-75 HIGHLIGHTS

Variable drilling axis.

A pressurized tank to save oil.

Faster refuelling.

Quick and accurate device to returning to centre hole useful in segmental casing technology.

Key features

Soilmec DMS

Drilling Mate System

Electronic system for drilling equipment control, production supervision and fleet management developed and owned by Soilmec since the late '90s.

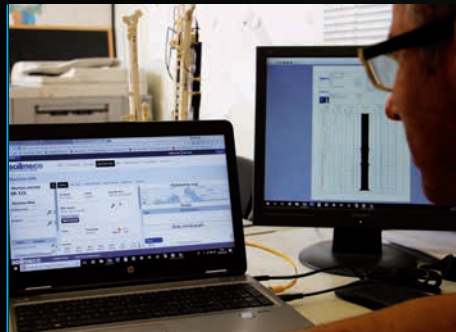
DMS product suite

Integrated solution embracing smart technology to optimise the use of machinery and increase efficiency on job sites. Soilmec DMS helps to gain unique insights into ground engineering and piling business by collecting, analysing and managing the most relevant information from the drilling equipment. The system is intended to support construction companies in daily operations and business processes by improving decision making and leveraging the potential of data analytics.



DMS ON BOARD

Built-in instrumentation for equipment supervision and performance control.



DMS PC

Licensed software for machine and production data processing and reporting.



DMS MANAGER 4.0

Cloud app for asset, fleet and site management.

Control





ERGONOMICS & FUNCTIONALITY

The cabin conceptual design and development have been made in accordance to the latest ergonomics criteria, in compliance with international standards, to provide the operator with maximum comfort, visibility and accessibility.

Internal and external is finished to the highest quality.

Logical layout of rig controls to ensure peak performance in total safety.

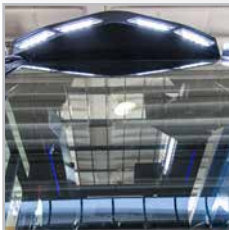
CONNECTIVITY

DMS ON BOARD with a multi-language 12" touchscreen display on top of the cabin to ensure max visibility at drilling area.

Horizontal sliding and tilt-adjustment mechanism (optional).

A simple navigation menu and intuitive interactive graphics to help the operator in the day-by-day drilling planning and execution.

Buttons and switches light up when operated.





COMFORT

Intelligent climate control for a pleasant indoor temperature at all times and under the most severe weather conditions by means of a powerful HVAC system. Convenient location of air conditioning filter to the left side of the cabin for an easy and quick maintenance.

Extra storage space including

- Compartments behind the seat and on armrests
- 3 locked glove boxes (one is air conditioned)
- Helmet and jacket compartment
- 2 dual cupholders
- File cabinet

USB port, phone charger (USB or wireless), radio player, ambient lights with LED ceiling lamps

A sliding glass door with an integrated easy-slide window to facilitate communication with drilling crew outside.

VISIBILITY

Front windshield in stratified glass possible use without protection grid for a wider uncluttered view.

Solar control glass, right-side, to increase the monitor brightness inside the cab.

Four powerful led lights, anti-glare, for an incomparable illumination of the frontal working area.

A CCTV camera set with a dedicated 7" display and adjustable mirrors for a total control on the job site area surrounding the machine.



comfort



SAVING

Site tests effectively confirm up to 23% reduction in pressure losses corresponding to approximately 10.4 l/h of fuel saved, based on a standardized drilling cycle.

PERFORMANCE

Higher force and speed for cylinder crowd system.

Newly designed winch crowd: longer stroke, increased depth in the quick change version, longer casing elements available in LDP configuration.

Max torque (intermittent): 293 kNm (216106 lb*ft).

Rated torque: 281 kNm (207255 lb*ft), 13% more than previous SR-75 ADV

Pile diameter: up to 2300 mm (91 in) in front of the mast with special set-up in CCS version.

We cater for your jobsite needs.

Even with an abundance of standard features, a menu of options and packages lets you create a SR-75 that's a perfect fit for your needs. Thoughtfully curated option packages - like the selection shown here - make it easy to add the most popular features and technologies.

Main winch rope anti-slack.

Managed by DMS, the system indicates when to slow down the kelly bar descent in order to avoid collision with the hole bottom and excessive rope unwinding.

Automated greasing.

Service rope retaining system.

Quick and easy conversion from LDP into CFA/DP/TCT.

CFA Autodrilling: An automatic device for CFA mode to control and optimize the drilling parameters.

CFA Autorotary: The operator can activate this function by a dedicated pedal or through joystick.

Potentiometers main functions in order to manually set up of the drilling parameters.

LARGE DIAMETER PILE

Cylinder or winch crowd system.
Same cathead.
Same versatility.
Same drilling depth up to 93 m (305 ft).



CONTINUOUS FLIGHT AUGER

Quick conversion.
High production.
6 different packages to drill up to 29 m (95 ft)
Pull-up capacity increased in 4-line pull
Direct pull system



CASED SECANT PILE

Two configurations: VDW 1407 and VDW 2010.
Casing length: up to 19.5m (64 ft).
Casing max torque: 190 kNm (140137 lb*ft)
Max diameter: 710 (28 in)



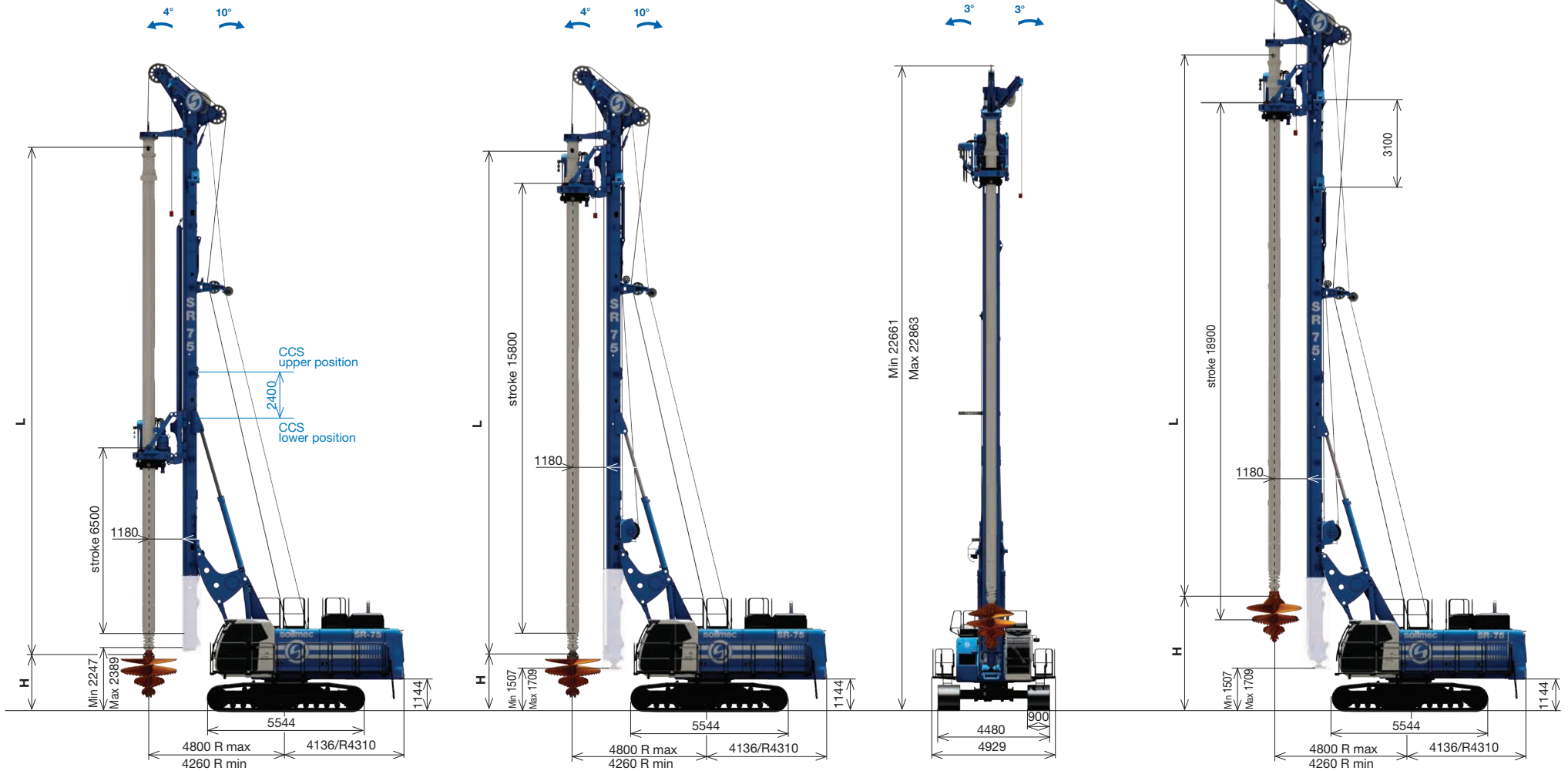
TECHNOLOGICAL PACKAGES

Large Diameter Piles

Cylinder Crowd System

Winch Crowd System

Extended version



Drawing are not to scale. All technical data are purely indicative and subject to change without notice.

LDP - Large Diameter Piles - CCS version

Operating weight w/o kelly bar	70400 kg	155204 lb
Max pile diameter (tool in front of the mast)	2000 mm	78.74 in
Max pile diameter c/w increased drilling axis ¹ (tool in front of the mast)	2300 mm	90.55 in
Max pile diameter w/o lower mast section ¹⁻² (tool below the mast)	2500 mm	98.43 in
Max pile diameter c/w increased drilling axis ¹ & w/o lower mast section ¹⁻² (tool below the mast) ⁵	2800 mm	110.24 in
Working radius ⁴	4110 - 4800 mm	161.81 - 188.98 in
Tail swing radius	4150 mm	163.39 in
Max pile depth-friction kelly	78 m	255.91 ft
Max pile depth-locking kelly	62 m	203.41 ft

LDP - Large Diameter Piles - WCS version

Operating weight w/o kelly bar	72000 kg	158733 lb
Max pile diameter (tool in front of the mast)	1750 mm	68.90 in
Max pile diameter c/w increased drilling axis ¹ (tool in front of the mast)	2000 mm	78.74 in
Max pile diameter w/o lower mast section ¹⁻³ (tool below the mast)	2500 mm	98.43 in
Max pile diameter c/w increased drilling axis ¹ & w/o lower mast section ¹⁻³ (tool below the mast)	2800 mm	110.24 in
Working radius ⁴	4110 - 4800 mm	161.81 - 188.98 in
Tail swing radius	4150 mm	163.39 in
Max pile depth-friction kelly	77,8 m	255.24 ft
Max pile depth-locking kelly	62 m	203.41 ft

LDP - Large Diameter Piles - Extended version

Operating weight - w/o kelly bar - CCS version	73000 kg	160936 lb
Operating weight - w/o kelly bar - WCS version	74600 kg	164463 lb
Working radius ⁴	4110 - 4800 mm	161.81 - 188.98 in
Max pile depth	93 m	305.12 ft

¹ package on request

² cylinder crowd in upper position - depth reduced by 2,4 m (7.9 ft)

³ rotary stroke reduced - depth reduced by 2,4 m (7.9 ft)

⁴ working radius with increased drilling axis: 4260 - 4800 mm (168 - 189 in)

Kelly bars for LDP

	Kelly type	Kelly dimens.	Drilling Depth ¹		Weight	L Length		H						
			m	ft		t t(US)	m	ft	CCS_low	CCS_high	WCS			
3 pars ²	BL HD	3 x 9	24,4	80.1	4,4	4.8	25,6	84.0	8,4	27.6	9,2	30.2	9,2	30.2
	BL HD	3 x 10,5	28,2	92.5	5,0	5.5	29,4	96.5	8,0	26.2	8,0	26.2	8,0	26.2
	BL HD	3 x 11,5	31,6	103.7	5,3	5.9	32,8	107.6	6,8	22.3	6,8	22.3	6,8	22.3
	BL HD	3 x 13,5	37,6	123.4	6,1	6.7	38,8	127.3	4,8	15.7	4,8	15.7	4,8	15.7
	BL HD	3 x 15,5	43,7	143.4	6,9	7.6	44,9	147.3	2,8	9.2	5,9 ³	19.4	2,8	9.2
	BL HD	3 x 16,5	46,9	153.9	7,2	8.0	48,1	157.8	1,7	5.6	4,8 ³	15.7	1,7	5.6
	BL HD ³	3 x 17,5	49,5	162.4	7,6	8.4	50,7	166.3	3,9	12.8	3,9	12.8	3,9	12.8
	BL HD ³	3 x 18,5	51,9	170.3	8,0	8.8	53,1	174.2	3,2	10.5	3,2	10.5	3,2	10.5
	BL HD ³	3 x 19,5	55,7	182.7	8,4	9.2	56,9	186.7	1,9	6.2	1,9	6.2	1,9	6.2
	BL HD	4 x 9	32,4	106.3	5,9	6.5	33,6	110.2	8,4	27.6	9,2	30.2	9,2	30.2
4 pars ²	BL HD	4 x 10,5	37,4	122.7	6,7	7.4	38,6	126.6	8,0	26.2	8,0	26.2	8,0	26.2
	BL HD	4 x 11,5	41,6	136.5	7,2	8.0	42,8	140.4	6,8	22.3	6,8	22.3	6,8	22.3
	BL HD	4 x 13,5	49,9	163.7	8,3	9.2	51,1	167.7	4,8	15.7	4,8	15.7	4,8	15.7
	BL HD	4 x 15,5	58,2	190.9	9,4	10.4	59,4	194.9	2,8	9.2	5,9 ³	19.4	2,8	9.2
	BL HD	4 x 16,5	62,4	204.7	10,0	11.0	63,6	208.7	1,7	5.6	4,8 ³	15.7	1,7	5.6
	BL HD ³	4 x 17,5	65,9	216.2	10,5	11.6	67,1	220.1	3,9	12.8	3,9	12.8	3,9	12.8
	BL HD ³	4 x 18,5	69,1	226.7	11,0	12.2	70,3	230.6	3,2	10.5	3,2	10.5	3,2	10.5
	BL HD ³	4 x 19,5	74,1	243.1	11,6	12.8	75,3	247.0	1,9	6.2	1,9	6.2	1,9	6.2
	FR HD	5 x 10,5	46,8	153.5	6,3	7.0	48,0	157.5	8,1	26.6	8,1	26.6	8,1	26.6
	FR HD	5 x 11,5	52,4	171.9	6,8	7.5	53,6	175.9	7,0	23.0	7,0	23.0	7,0	23.0
5 pars	FR HD	5 x 13,5	62,5	205.1	7,8	8.6	63,7	209.0	4,9	16.1	4,9	16.1	4,9	16.1
	FR HD	5 x 15,5	73,4	240.8	8,8	9.7	74,6	244.8	2,7	8.9	5,8 ³	19.0	2,7	8.9
	FR HD	5 x 16,5	78,1	256.2	9,3	10.3	79,3	260.2	1,8	5.9	4,9 ³	16.1	1,8	5.9
	FR HD ³	5 x 17,5	82,9	272.0	9,8	10.8	84,1	275.9	3,9	12.8	3,9	12.8	3,9	12.8
	FR HD ³	5 x 18,5	86,8	284.8	10,3	11.4	88,0	288.7	3,2	10.5	3,2	10.5	3,2	10.5
	FR HD ³	5 x 19,5	93,2	305.8	10,8	12.0	94,4	309.7	1,8	5.9	1,8	5.9	1,8	5.9

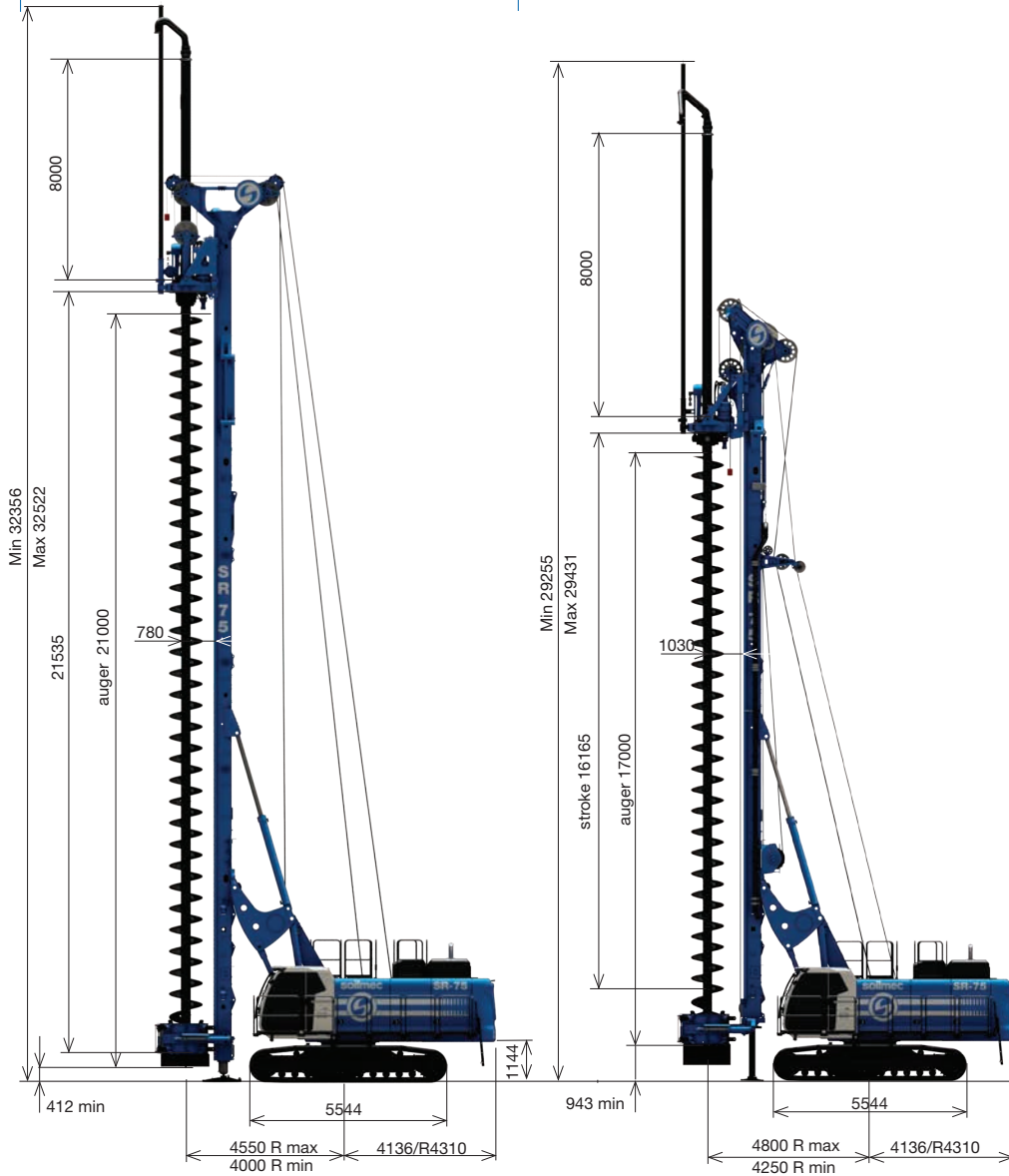
¹ drilling depth is reduced by 2,4 m (7.9 ft) without lower mast section or cylinder crowd in high position; drilling depth is calculated with kelly bar c/w stub 200x200 and drilling tool 1500 mm (4.9 ft) long

² friction type is also available with the same dimension

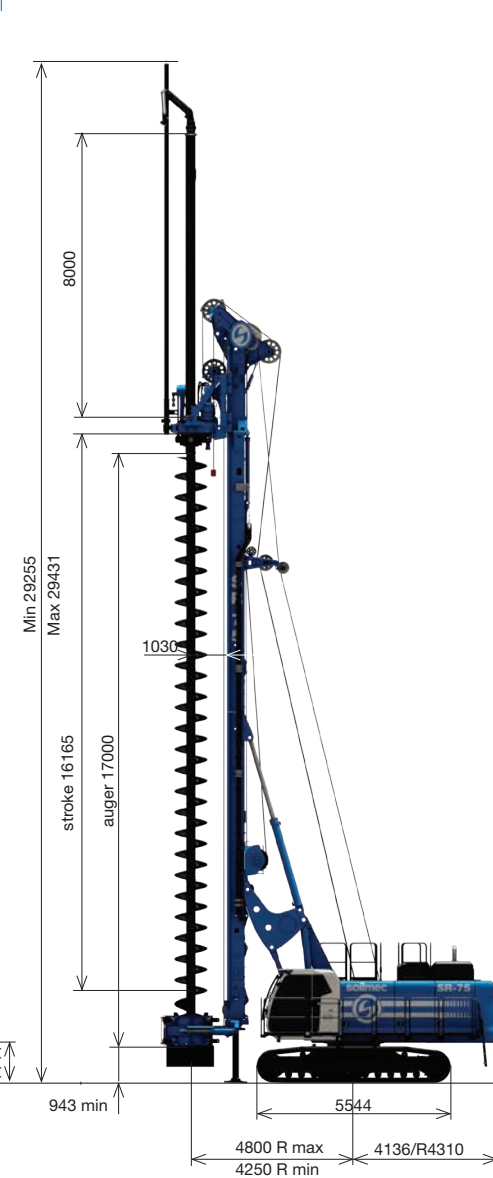
³ special kit (with mast extension 3,1m) is requested

CFA / DP / TJ applications

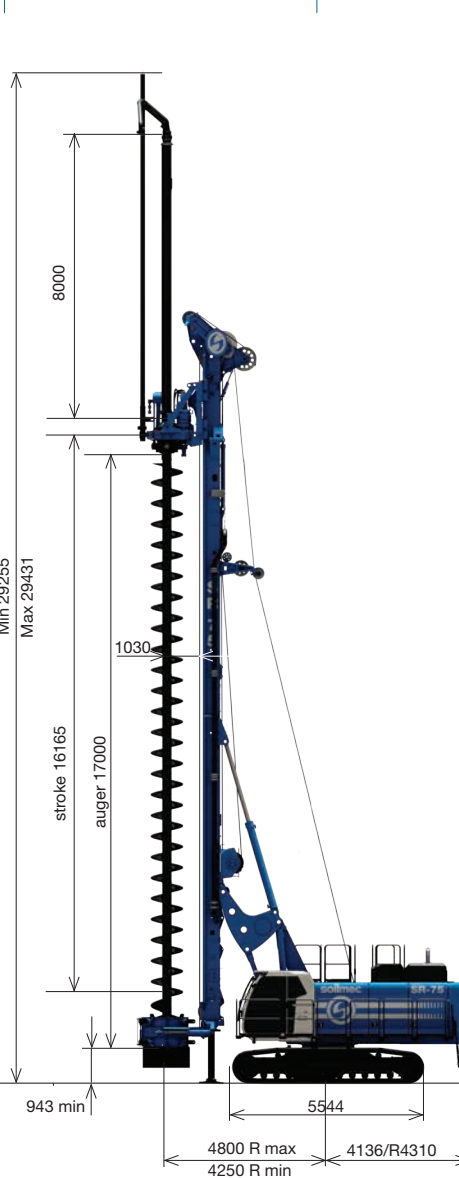
CFA
4-lines pull_extended version



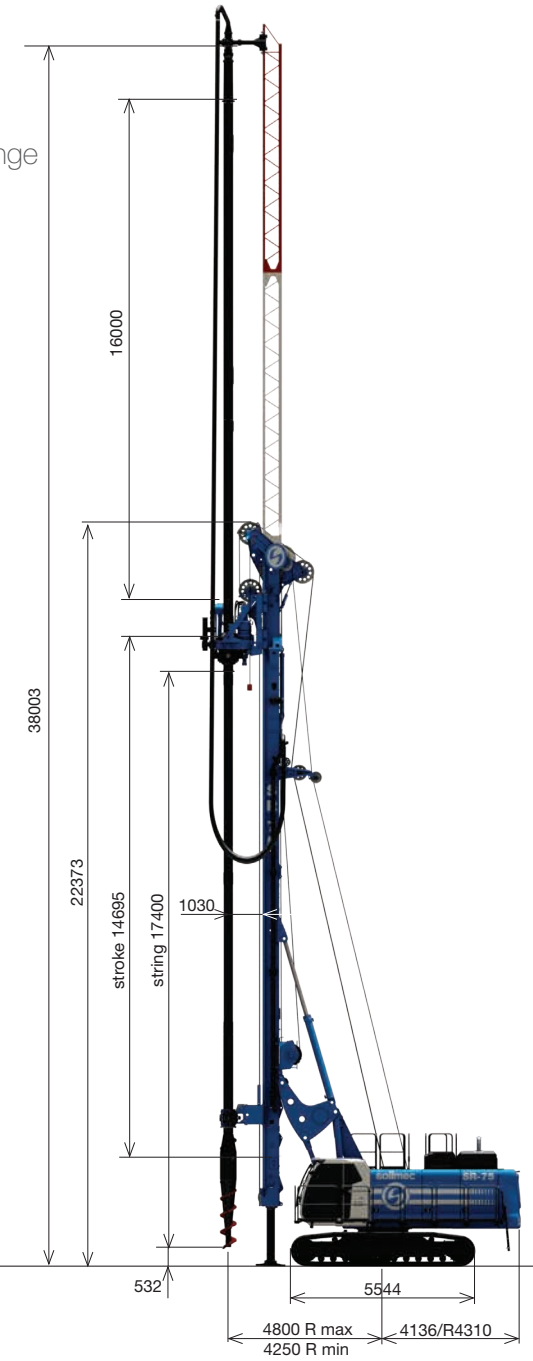
CFA
Quick Change



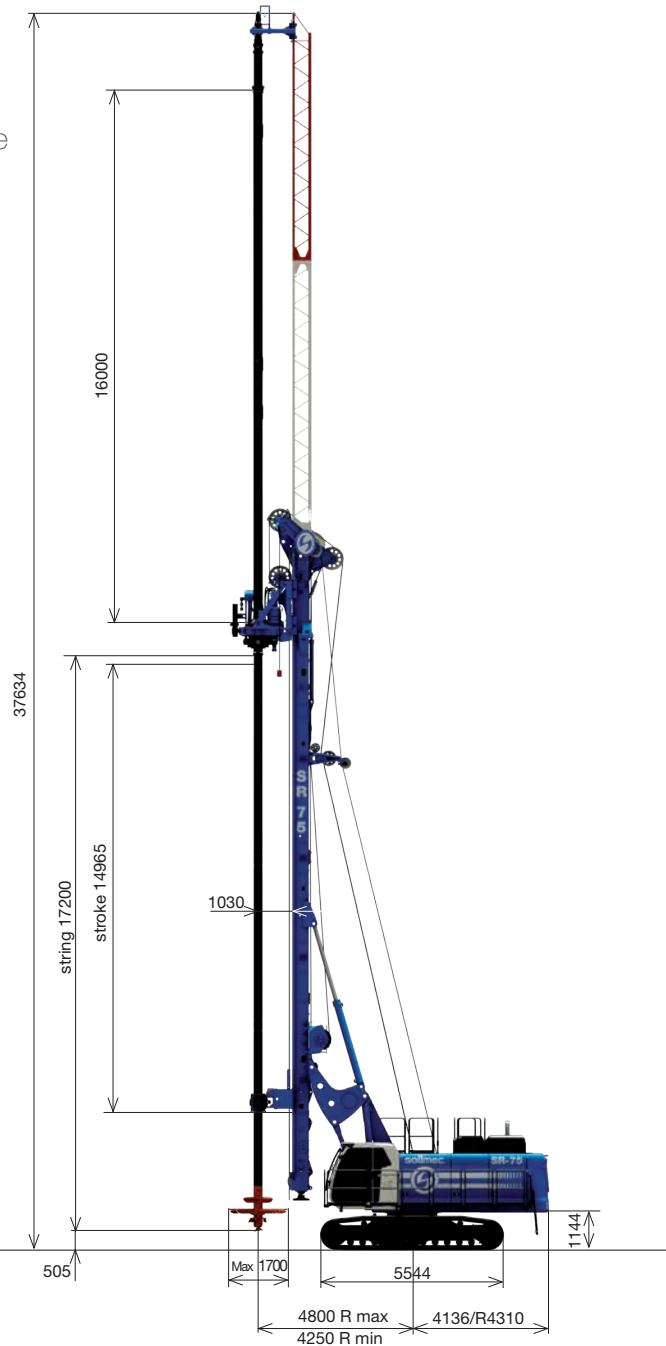
CFA
Direct Pull



DP / TCT
Quick Change



TJ
Quick Change

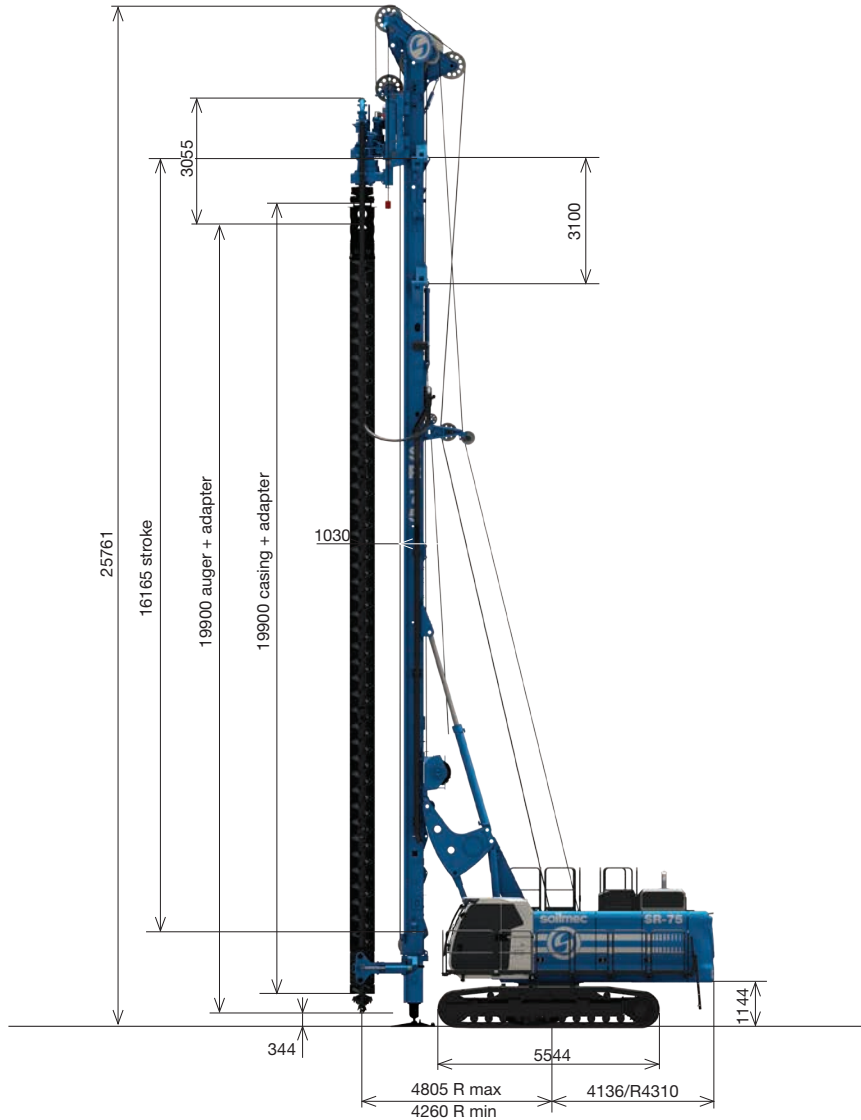


CFA - Continuous Flight Auger - 4 lines pull	standard version		extended version ⁵	
Operating weight (c/w 6 m - 19.6 ft sleeve extension, w/o auger)	73100 kg	161156 lb	73500 kg	162038 lb
Max pile diameter	1200 mm	47.24 in	1200 mm	47.24 in
Max length of auger	19,5 m	63.98 ft	21 m	68.90 ft
Max length of sleeve extension	8 m	26.25 ft	8 m	26.25 ft
Max pile depth (c/w 8 m - 26.25 ft sleeve extension) ¹	27,5 m	90.22 ft	29 m	95.14 ft
Nominal extraction force	984 kN	221208 lbf	984 kN	221208 lbf
Additional crowd force on auger ²⁻³	408 kN	91720 lbf	408 kN	91720 lbf
CFA - Continuous Flight Auger - Quick change	standard version		extended version ⁵	
Operating weight (c/w 8 m - 26.25 ft sleeve extension, w/o auger)	74400 kg	164024 lb	77050 kg	169866 lb
Max pile diameter	1200 mm	47.24 in	1200 mm	47.24 in
Max length of auger	17 m	55.77 ft	20 m	65.62 ft
Max length of sleeve extension	8 m	26.25 ft	8 m	26.25 ft
Max pile depth (c/w 8 m - 26.25 ft sleeve extension) ¹	23,2 m	76.12 ft	26,2 m	85.96 ft
Nominal extraction force	800 kN	179844 lbf	630 kN	141627 lbf
Nominal crowd force on auger	408 kN	91720 lbf	408 kN	91720 lbf
CFA - Continuous Flight Auger - Direct Quick change	standard version		extended version ⁵	
Operating weight (c/w 8 m - 26.25 ft sleeve extension, w/o auger)	74450 kg	164134 lb	77100 kg	169976 lb
Max pile diameter	1200 mm	47.24 in	1200 mm	47.24 in
Max length of auger	17 m	55.77 ft	20 m	65.62 ft
Max length of sleeve extension	8 m	26.25 ft	8 m	26.25 ft
Max pile depth (c/w 8 m - 26.25 ft sleeve extension) ¹	23,2 m	76.12 ft	26,2 m	85.96 ft
Nominal extraction force	408 kN	91720 lbf	408 kN	91720 lbf
Nominal crowd force on auger	408 kN	91720 lbf	408 kN	91720 lbf
DP/TCT - Displacement pile - Quick change ⁴	standard version		extended version ⁵	
Operating weight (w/o string and tool)	75700 kg	166892 lb	78350 kg	172732 lb
Operating weight c/w lattice boom ext (w/o string and tool)	79450 kg	175157 lb	n.a	n.a
Max recommended DP pile diameter	600 mm	23.62 in	600 mm	23.62 in
Max recommended TCT pile diameter	800 mm	31.50 in	800 mm	31.50 in
Max length of string	17,4 m	57.09 ft	20,4 m	66.93 ft
Max pile depth w/o lattice boom extension c/w 8,5 m (27.9 ft) string extension	23,0 m	75.46 ft	26 m	85.30 ft
Lattice boom extension length	16 m	52.49 ft	n.a	n.a
Max pile depth c/w lattice boom extension	30,4 m	99.74 ft	n.a	n.a
TJ - Turbojet® - Quick change ⁴	standard version		extended version ⁵	
Operating weight (w/o string and tool)	75700 kg	166890 lb	78350 kg	172732 lb
Operating weight c/w lattice boom ext (w/o string and tool)	78250 kg	172512 lb	n.a	n.a
Max recommended TJ pile diameter	1500 mm	59.06 in	1500 mm	59.06 in
Max length of string	17,4 m	57.09 ft	20,4 m	66.93 ft
Max pile depth w/o lattice boom extension c/w 6 m (19.6 ft) string extension	20,5 m	67.26 ft	23,5 m	77.10 ft
Lattice boom extension length	16 m	52.49 ft	n.a	n.a
Max pile depth c/w lattice boom extension	30,4 m	99.74 ft	n.a	n.a
Max pile depth c/w lattice boom extension	30,4 m	99.74 ft	n.a	n.a

¹ depth reduced of 1,7 m (5.58 ft) with roller auger cleaner ² package on request - depth reduced by 1 m (3.28 ft)
³ 100 kN (22480 lbf) also available on request - depth reduced by 250 mm (0.82 ft) ⁴ DP/TCT and TJ are also available with 4-line pull version or Direct Quick Change ⁵ by a Special Kit on request

CSP/VDW applications

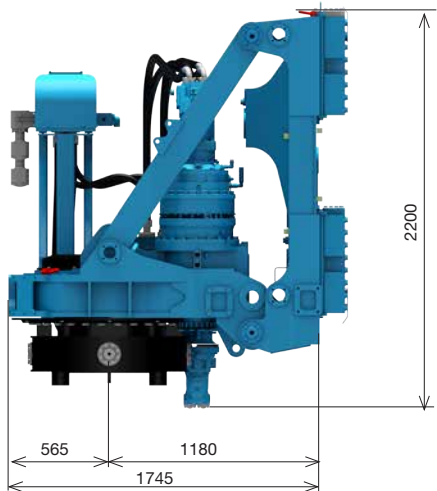
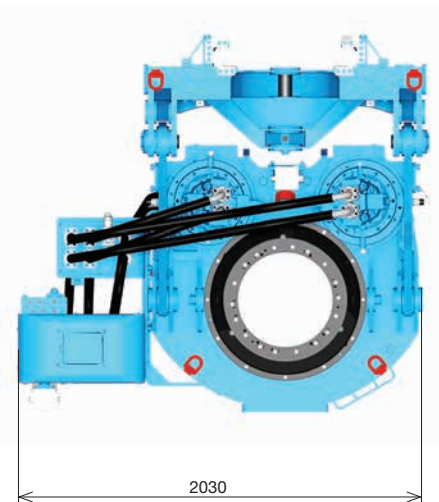
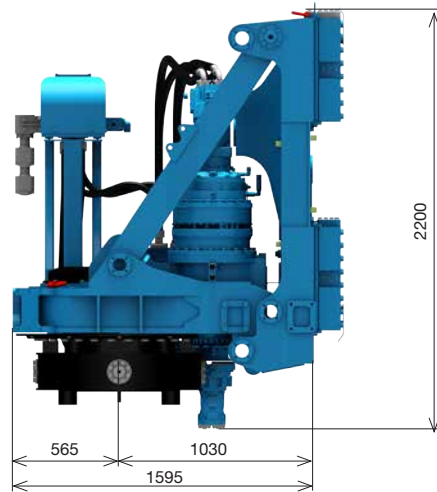
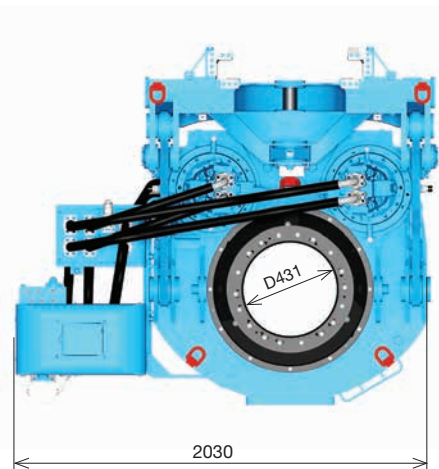
Extended version



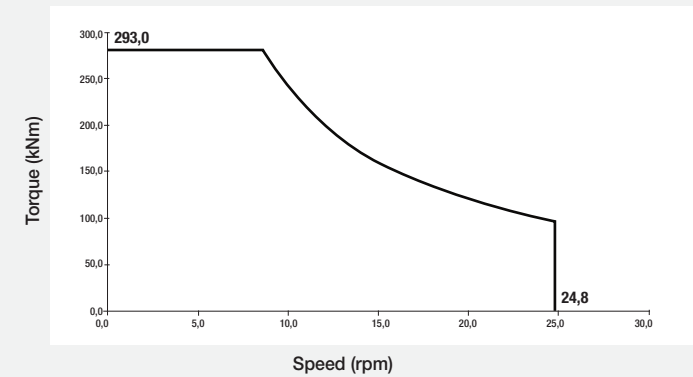
VDW 1407 - Cased Secant Piles Quick change	Standard version	Standard version	Extended version	Extended version
Operating weight (w/o auger and casing)	72750 kg	160386 lb	75400 kg	166229 lb
Max pile diameter	620 mm ¹	24.41 in ¹	620 mm	24.4 in
Max augered depth	15,4 m	50 ft	18,3 m	60 ft
Max cased depth	15,1 m	49 ft	18 m	59 ft
Casing max torque	140 kNm	103257 lb*ft	140 kNm	103257 lb*ft
Max casing speed rotation	27,6 rpm	27.6 rpm	27,6 rpm	27.6 rpm
Auger max torque	70 kNm	51629 lb*ft	70 kNm	51629 lb*ft
Max auger speed rotation	36,9 rpm	36.9 rpm	36,9 rpm	36.9 rpm
Nominal auger pull up/down	630 / 408 kN	141627 / 91720 lbf	630 / 408 kN	141627 / 91720 lbf
Nominal casing pull up/down	630 / 408 kN	141627 / 91720 lbf	630 / 408 kN	141627 / 91720 lbf

¹ admissible up to diameter 711 mm / 28 in

VDW 2010 - Cased Secant Piles Quick change	Standard version	Standard version
Operating weight (w/o auger and casing)	76000 kg	167551 lb
Max pile diameter	620 mm	24.4 in
Max augered depth	15,4 m	50 ft
Max cased depth	15,1 m	49 ft
Casing max torque	202,7 kNm	149504 lb*ft
Max casing speed rotation	15,3 rpm	15.3 rpm
Auger max torque	101,4 kNm	74789 lb*ft
Max auger speed rotation	32,2 rpm	32.2 rpm
Nominal auger pull up/down	630 / 408 kN	141627 / 91720 lbf
Nominal casing pull up/down	630 / 408 kN	141627 / 91720 lbf
Auxiliary counterweight	1500 kg	3307 lb



Rotary torque diagram



Kelly bars for rotary OD 406 mm/15.6 in or 431 mm/17 in.

Rotary motors displacement automatic controlled by DMS.

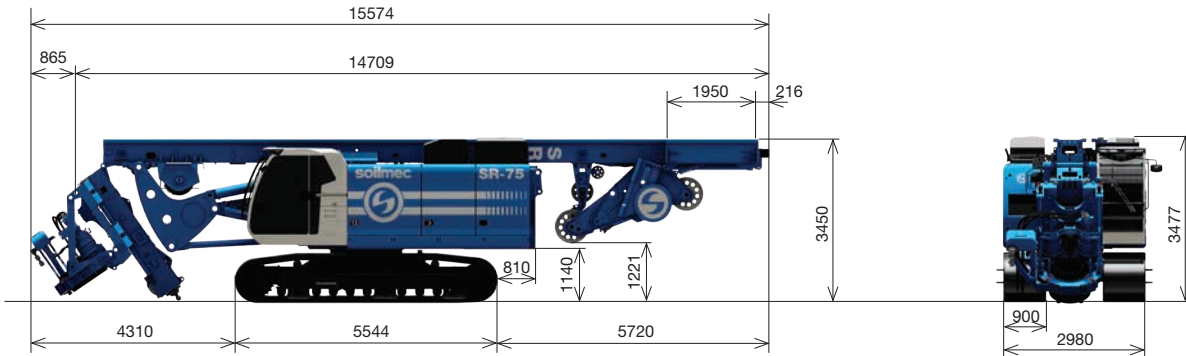
Engine power savings in a resulting lower fuel consumption, estimated at 10,4 l/h (2.79 gal/h) thanks the contributory of the main valve fitted on rotary.

The variable drilling axis device (from 1030 mm to 1180 mm / 40.5 in to 46.5 in) ensures the maximum geometric clearance in front of the mast (up to diameter 2300 m /90.6 in).

Rotary RD280 model	Displacement automatic control	Displacement automatic control
Max torque	293 kNm	216102 lb*ft
Rated torque	280,7 kNm	207034 lb*ft
Max drilling speed	24,8 rpm	24,8 rpm
Spin off speed	130 rpm	130 rpm
Weight (w/o cradle and casing flange)	4300 kg	9480 lb

Transport, dimensions & weights

Winch Crowd System - Standard



Transport in LDP configuration	CCS	CCS	WCS	WCS
Transport weight	60300 kg*	132937 lb*	61800 kg**	136244 lb**
Transport length	15574 mm	51.08 ft	15574 mm	51.08 ft
Transport width	3000 mm	9.84 ft	3000 mm	9.84 ft

* includes the base carrier c/w undercarriage, mast, rotary, rotary cradle; w/o counterweight, and cylinder crowd
 ** includes the base carrier c/w undercarriage, mast, rotary, rotary cradle and must foot cylinder; w/o counterweight.

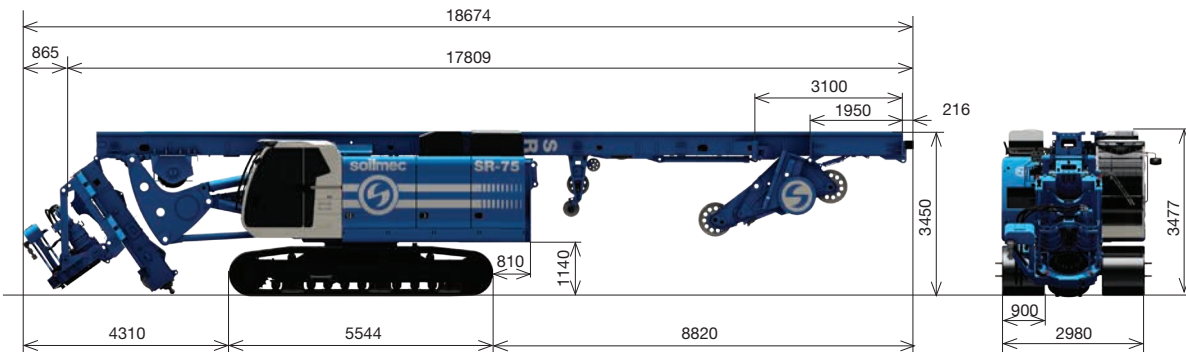
Easily disassembled and reassembled

The constructive design of the machine allows for even lighter transport configurations. Some components can be easily disassembled and reassembled if necessary.

CCS Version: It is possible to remove, in addition to the counterweight, the cathead & the upper mast section, the lower mast section, the pull down cylinder and the rotary with its cradle to get a minimum transport weight of 50450 kg (111223 lb).

WCS Version: It is possible to remove the counterweight, the rotary with its cradle and, if any, the mast foot cylinder to get a minimum transport weight of 56800 kg (125223 lb).

Winch Crowd System - Extended

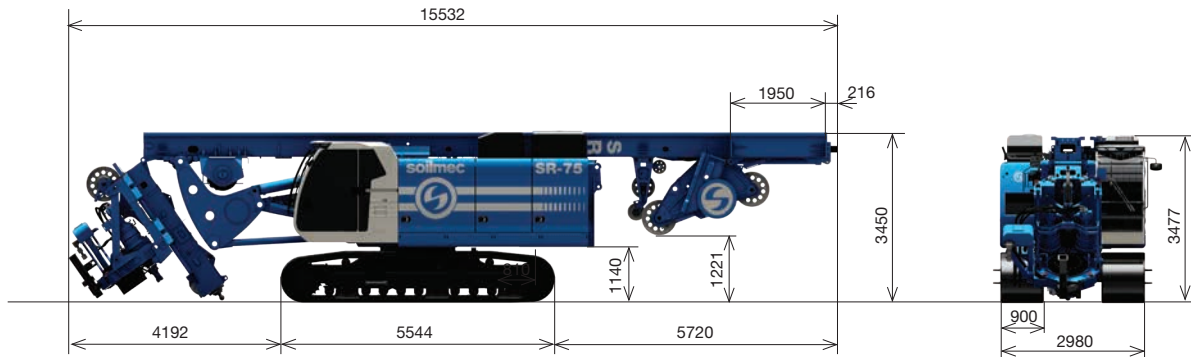


Transport in LDP configuration - Extended version	CCS	CCS	WCS	WCS
Transport weight	61400 kg*	135362 lb*	62900 kg**	138669 lb**
Transport length	18674 mm	61.25 ft	18674 mm	61.25 ft
Transport width	3000 mm	9.84 ft	3000 mm	9.84 ft

* includes the base carrier c/w undercarriage, mast, rotary, rotary cradle; w/o counterweight, and cylinder crowd
 ** includes the base carrier c/w undercarriage, mast, rotary, rotary cradle and cylinder crowd; w/o counterweight

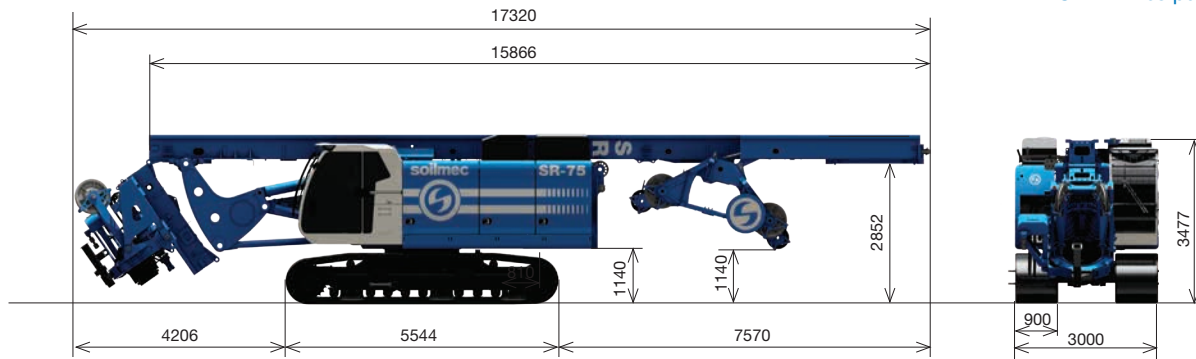
Transport, dimensions & weights

CFA QC STD



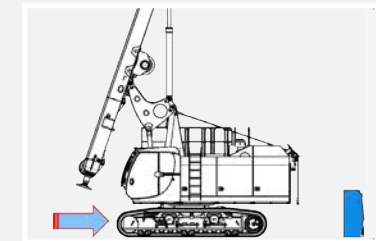
Transport in CFA configuration Quick Change and Direct Quick change version	standard	standard	extended	extended
Transport weight	62200 kg	137126 lb	63300 kg	139553 lb
Transport length	15532 mm	51 ft	18632 mm	61 ft
Transport width	3000 mm	9.84 ft	3000 mm	9.84 ft

CFA 4-lines pull

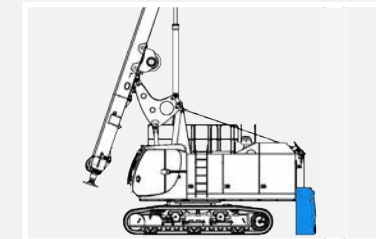


Transport in CFA configuration - 4 lines pull	extended version	extended version
Transport weight	60200 kg	132718 lb
Transport length	17320 mm	56.8 ft
Transport width	3000 mm	9.84 ft

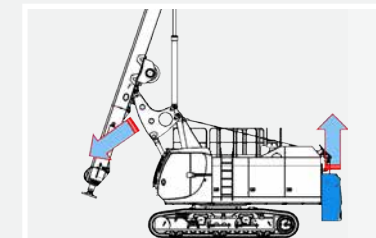
Self-mounting counterweight system



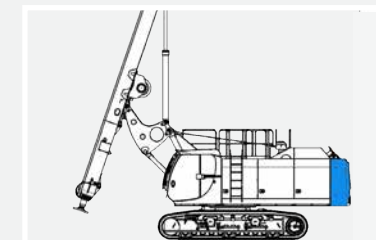
Step 1



Step 2



Step 3



Step 4

Technical data

Undercarriage



Undercarriage		
Type	variable gauge, telescoping removable sides	variable gauge, telescoping removable sides
Overall width with retracted crawlers	2980 mm	117.32 in
Overall width with extended crawlers	4480 mm	176.38 in
Width of triple grouser track shoes	900 mm	35.43 in
Overall length of crawlers	5544 mm	218.27 in
Traction force	495 kN	111278 lbf
Travelling speed	0 - 1,6 km/h	0 - 1 mph

Engine



Engine		
Engine model	VOLVO D13	VOLVO D13
Power rating	345 kW @ 1800 rpm	462 HP @ 1800 rpm
Engine conforms to Exhaust emission Standard	EU stage V *	EU stage V *
Fuel tank capacity	650 l	172 US gal
AD Blue tank capacity	70 l	18 US gal

* VOLVO D13 - Tier3 and Tier4f is available on request

Hydraulic system



Hydraulic system		
Main pumps flow	2x 304 + 460 l/min	2x 80 + 121 US gal/min
Third pump flow	121 l/min	32 US gal/min
Hydraulic oil tank capacity	685 l	181 US gal

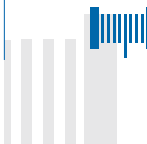
Crowd system



CCS_Cylinder Crowd System		
Stroke	6500 mm	255.91 in
Crowd force pull (down/up)	204 / 313 kN	45860 / 70364 lbf
Speed up (slow/fast)	5,4 / 14,4 m/min	17.72 / 47.24 ft/min
Speed down (slow/fast)	4 / 14,4 m/min	13.12 / 47.24 ft/min
WCS_Winch Crowd System		
Stroke	15800 mm *	622.05 in *
Crowd force pull (down/up)	408 / 408 kN	91720 / 91720 lbf
Speed up (slow/fast)	6,8 / 29 m/min	28.31 / 95.14 ft/min
Speed down (slow/fast)	6,8 / 29 m/min	28.31 / 95.14 ft/min

*optional: 18900mm (744 in) extended version.

Winches



Main winch - standard		
Type	controlled descent	controlled descent
Model	SW270	SW270
Rope layers	2	2
Line pull (1st layer)	270 kN	60697 lbf
Rope diameter	30 mm	1,18 in
Rope speed (1st layer)	81,6 m/min	268 ft/min

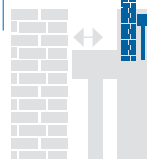
Auxiliary winch		
Type	controlled descent	controlled descent
Rope layers	2	2
Line pull (1st layer)	127 kN	28550 lbf
Rope diameter	22 mm	0.87 in
Rope speed (1st layer)	70 m/min	230 ft/min

Noise



Noise		
Sound pressure level in cab c/w Tier 4f Engine	109 dB	109 dB
Sound power level c/w Tier 4f Engine	74 dB	74 dB
Vibration transmitted to the hand-arm system of the machine operator	< 2.5 m/s²	< 8.2 ft/s ²
Vibration transmitted to the whole body of the machine operator	< 0.5 m/s²	< 1.64 ft/s ²

FoW clearance



Front of wall clearance			
LDP - Large Diameter Pile - CCS version	due to rotary ¹	570 mm	22.44 in
LDP - Large Diameter Pile - WCS version	due to rotary ¹	570 mm	22.44 in
CFA - Continuous Flight Auger - 4 line pull - standard version	due to swan neck	900 mm	35.43 in
CFA - Continuous Flight Auger - 4 line pull - special version	due to swan neck	900 mm	35.43 in
CFA - Continuous Flight Auger - Quick change	due to swan neck	900 mm	35.43 in
CFA - Continuous Flight Auger - Direct Quick change	due to swan neck	900 mm	35.43 in
DP - Displacement Pile - Quick change	due to swan neck	900 mm	35.43 in
TJ - Turbo Jet - Quick change	due to sleeve guide	820 mm	32.28 in
VDW 1405 - Cased Secant Pile - Quick change	due to VDW rotary	300 mm	11.81 in
VDW 2010 - Cased Secant Pile - Quick change	due to VDW rotary	310 mm	12.20 in

¹ w/o casing flange and drilling tool

Configurations

	LDP Large Diameter Pile with Kelly bar		CFA Continuous Flight Auger Piles	
	(WCS)	(CCS)	(4-lines pull)	(Quick Change)
UNDERCARRIAGE				
Variable gauge, telescopic side frames	●	●	●	●
Variable gauge, telescopic removable sides	○	○	○	○
Radio remote control for dismounting tracks	○	○	○	○
Mechanical prearrangement for casing oscillator	●	●	●	●
Hydraulic prearrangement for casing oscillator	○	○	n.a	n.a
VRM180KL casing oscillator	○	○	n.a	n.a
Radio remote control for tramping operation	●	●	●	●
UPPER STRUCTURE				
Diesel engine VOLVO D13 Stage V – US EPA Tier 4F	●	●	●	●
Diesel engine VOLVO D13 Stage IIA – US EPA Tier 3	○	○	○	○
Auto low idle system	●	●	●	●
Harness technology for electrical system	●	●	●	●
Electroproportional system	●	●	●	●
Automatic greasing package	○	○	○	○
Washer lancer	○	○	○	○
Compressor kit	○	○	○	○
Foldable catwalk with handrails	○	○	○	○
Removable catwalk with handrails	●	●	●	●
Acoustic & light alarm for tramping	●	●	●	●
Lighting led system package	●	●	●	●
Sound proofed canopies	●	●	●	●
Silent pack	○	○	○	○
Hydraulic prearrangement for additional technologies	●	●	●	●
Concrete pipe on turret	n.a	n.a	○	○
Mast ladder with parachute (only for no CE market)	○	○	○	○
CAB				
Falling object protective structure (FOPS)	●	●	●	●
Protective grille	●	●	●	●
Rearview mirrors	●	●	●	●
Comfort package	●	●	●	●
Sliding door	●	●	●	●
Sliding window	●	●	●	●
Lighting system in front of the cab	●	●	●	●
CONTROL AND MONITORING SYSTEM				
DMS ON BOARD with technological package	●	●	●	●
DMS PC	●	●	●	●
DMS manager 4.0	○	○	○	○
GSM / GPRS / WIFI Modem	●	●	●	●
DMS ON BOARD adjustable monitor 12" touch screen	●	●	●	●
Surround view cameras with display in the cab	●	●	●	●
Inclinometer device with automatic vertically	●	●	●	●
WINCHES				
Main winch SW270 model - double layer	●	●	●	●
Load cell for main winch	●	●	●	●
Limit switch for rope winding and winches	●	●	●	●
Depthmeter for main winch	●	●	●	●
Anti-slack system for main winch	○	○	n.a	n.a
Service winch SW130 model	●	●	●	●
Load cell for service winch	●	●	●	●

	LDP Large Diameter Pile with Kelly bar		CFA Continuous Flight Auger Piles	
	(WCS)	(CCS)	(4-lines pull)	(Quick Change)
Service rope holder	●	●	●	●
Swivel for service rope	○	○	○	○
ROTARY UNIT				
Rotary unit with automatic control; Max torque intermitted: 293 kNm (216.102 lbs*ft)	●	●	●	●
Replaceable drive ribs	●	●	●	●
Automatic greasing kit for cradle	●	●	●	●
Oil discharge conveying system	●	●	●	●
MAST				
Upper foldable mast element	●	●	●	●
Lower foldable mast element	●	●	●	●
Cathead greasing kit	○	○	○	○
Concrete pipe on mast	n.a	n.a	○	○
Package for long mast - upgraded version	○	○	n.a	○
KELLY BAR TECHNOLOGY				
Rotary sleeve with 3 ribs - for kelly bar 431 mm (17 in)	●	●	n.a	n.a
Package for kelly bar 406 mm (16 in)	○	○	n.a	n.a
Cardan joint	●	●	n.a	n.a
Flange for casing driving d.900 mm (35 in)	○	○	n.a	n.a
Flange for casing driving d.1300 mm (52 in)	●	●	n.a	n.a
Flange for casing driving d.1500 mm (59 in)	○	○	n.a	n.a
Automatic return to the centre hole	●	●	n.a	n.a
Automatic greasing kit for winch crowd	○	n.a	n.a	○
Telescopic mast foot	●	n.a	n.a	n.a
Drilling axis 1030 mm	●	●	n.a	n.a
Variable drilling axis from 1030 mm to 1180 mm	●	●	n.a	n.a
CFA TECHNOLOGY				
Sleeve 6 m (19.7 ft) long XHD-5	n.a	n.a	○	○
Sleeve 8 m (20.2 ft) long 25HD-5	n.a	n.a	○	○
Package for CFA 21 m (69 ft) auger length	n.a	n.a	●	n.a
Package for CFA 19,5 m (64 ft) auger length	n.a	n.a	○	n.a
Package for CFA 17 m (56 ft) auger length	n.a	n.a	n.a	●
Package for CFA 20 m (66 ft) auger length	n.a	n.a	n.a	○
DMS ON BOARD with automatic auger lifting	n.a	n.a	●	●
Autodrilling package	n.a	n.a	○	○
Autorotary package	n.a	n.a	○	○
Additional pull-down winch	n.a	n.a	○	○
Hydraulic universal openable lower guide d.1200mm (47.2 in)	n.a	n.a	●	●
Auger cleaner star type	n.a	n.a	○	○
Double roller auger cleaner d.1200 mm (47.2 in)	n.a	n.a	○	○
Pressure transducer kit	n.a	n.a	●	●
Wi-fi sensor for concrete pressure	n.a	n.a	○	○
Warning system for CFA sleeve extension coupling	n.a	n.a	●	●
Hydraulic prearrangement for VTH-1 vibrator	n.a	n.a	○	○
Additional package for VDW technology: 15,1 m (49.5 ft) cased depth	n.a	n.a	n.a	○
Additional package for VDW technology: 18 m (59 ft) cased depth	n.a	n.a	n.a	○
Add. package for DP/TCT technology: 30,4 m (100 ft) depth with lattice extension	n.a	n.a	n.a	○
Add.package for TJ technology: 30,4 m (100 ft) depth with lattice extension	n.a	n.a	n.a	○
Direct pull CFA	n.a	n.a	n.a	●

● standard ○ optional n.a. not available

A close-up photograph of a muddy tire tread on a dirt surface. The tire is on the left side of the frame, and the mud is dark brown and textured. The background is a blurred dirt surface.

www.soilmec.it

This brochure has been edited and distributed by SOILMEC Spa. The present document cancels and override any previous ones. This brochure shall not be distributed, reproduced or exhibited without SOILMEC Spa. authorization in accordance with to SOILMEC web site disclaimer condition.

SOILMEC Spa distributes machinery and structures all over the world, supported by SOILMEC Spa subsidiary companies and dealers. The complete Soilmec network list is available on the web site www.soilmec.it

#muddyboots