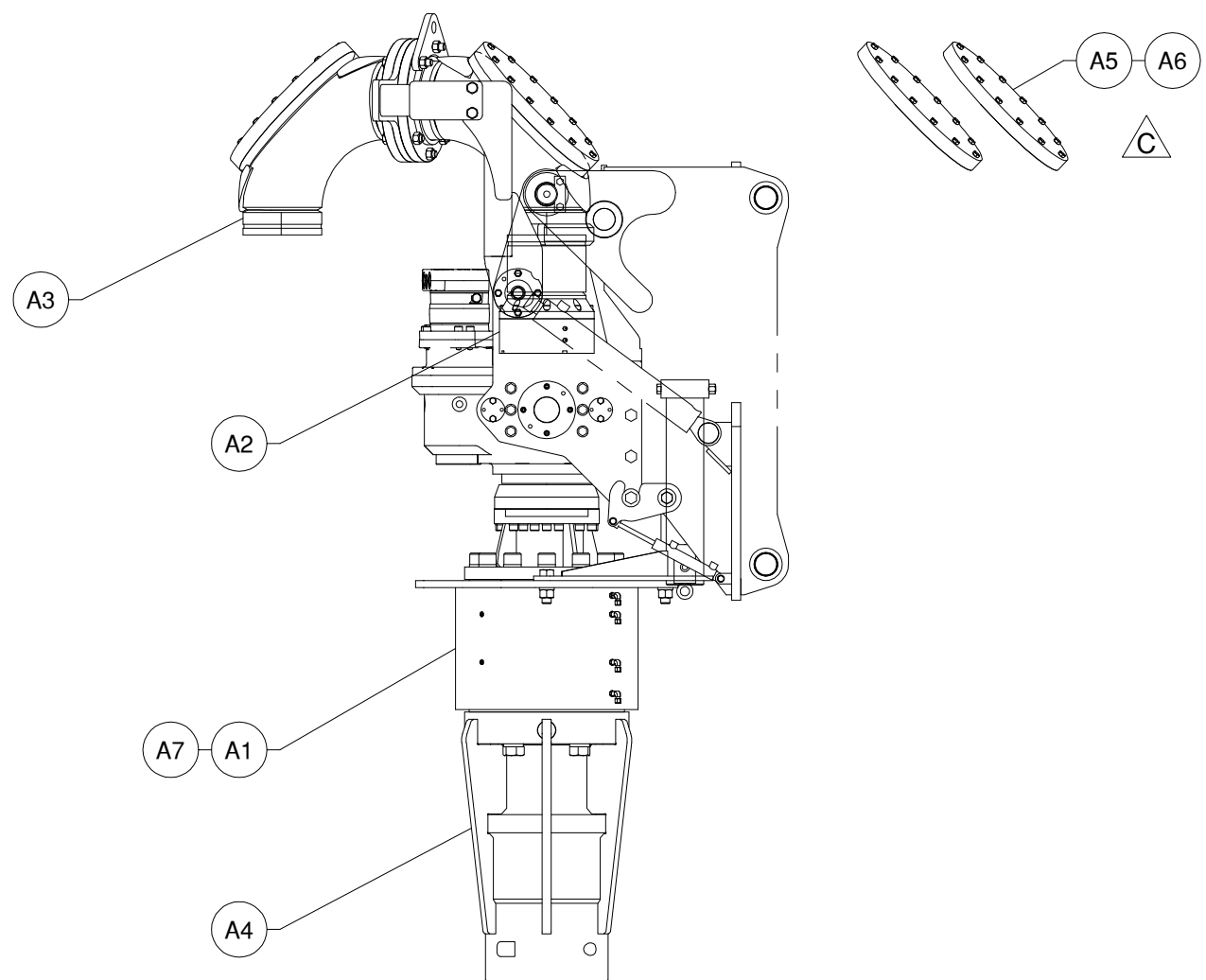


ITEM	PART #	QTY	DESCRIPTION
A1	B124435	1	AIR SWIVEL, KLEMM KH-39
A2	B124440	1	DISCHARGE SWIVEL
A3	B124600	1	DISCHARGE ELBOW ASSY
A4	B104199	1	DRILL STRING ADAPTOR - 18" TO 9.4 HEX
A5	B116652	2	DISCHARGE CAP PLATE
A6	HHX-M1255	24	M12 x 55mm BOLT
A7	B124737	1	GREASING SYSTEM



C	10 Nov 2020	DES
B	04 Nov 2020	DES
A	03 Nov 2020	DES
REV.	DATE	BY



Customer: Equipment Corporation of America

Description: Air and Discharge Swivel for Klemm KH-39

Customer Order #: 18530	Eng. Project #: E18-009	Date: 02 Nov 2020	Dwg. No.: GA-18530-RA	Page: 1 of 1	Rev.: C
----------------------------	----------------------------	----------------------	--------------------------	-----------------	------------